

PBRC FLYING U – RULES & SETUP

04/07/2006

FLYING U

FLYING U

Description of Race

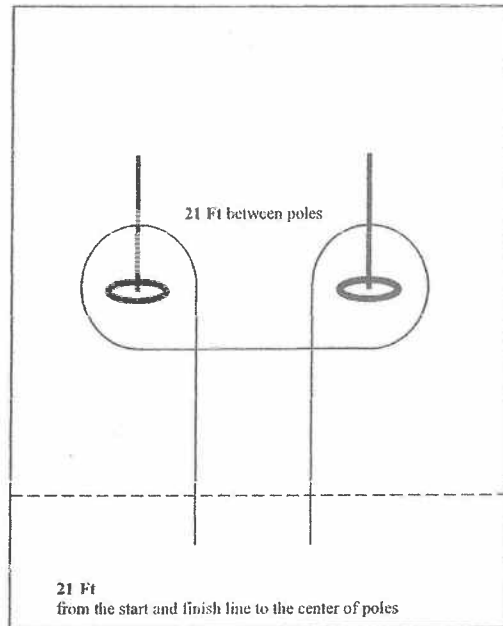
The rider races across the start and finish line to two poles. Runs between the two poles, circles one pole then runs across to the other pole and circles that pole to finish the circle between the two poles and runs back across the start and finish line. The rider may ride either a right or a left pattern.

Equipment

Two (2) poles spaced twenty-one (21) feet apart, twenty-one (21) feet from the start and finish line.

Judges

Two (2) judges to observe the pattern and to set up any poles knocked down.



Penalties

A five (5) second penalty for each pole knocked over.

Disqualifications

1. Failure to complete the pattern
2. Breaking the pattern

6/1/10 approved

Kathy Scott